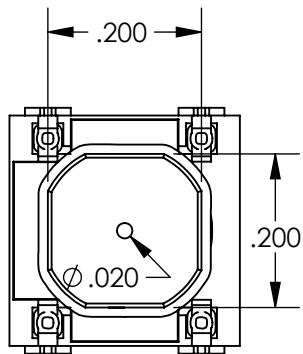
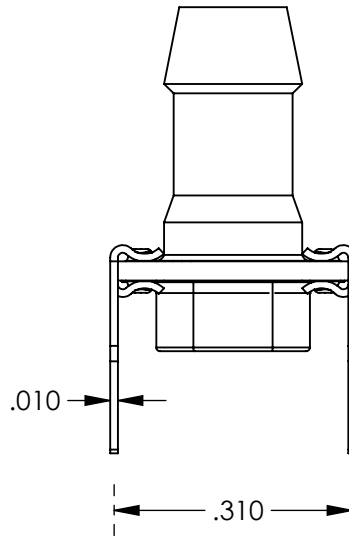
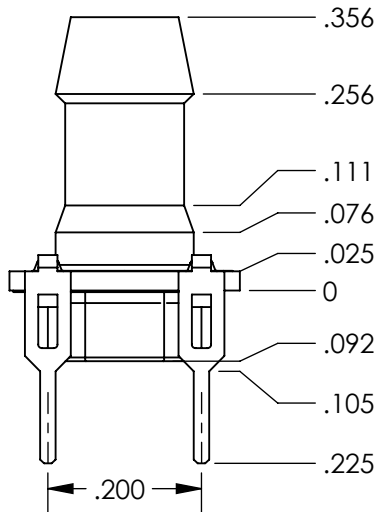
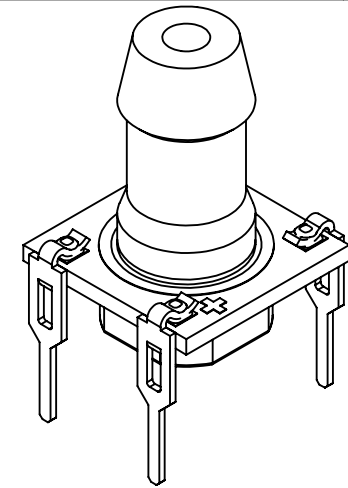
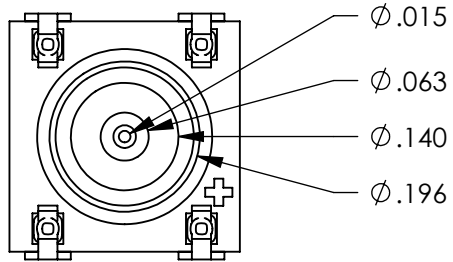


Confidential Information. Property of Merit Sensor Systems, Inc.  
 Reproduction or use without written consent is prohibited.

REVISIONS			
REV.	ECN:	DESCRIPTION	DATE
001	DCO #	INITIAL RELEASE	mm/yy



DRAWING LINKED: No  
 if YES, indicate locations:

DIMENSIONS IN: INCHES/(mm)		DRAWN BY	DATE	 <b>MERIT SENSOR SYSTEMS, INC.</b>		
TOLERANCES		C. Peterson	1/30/13			
Inches:	mm:	MATERIAL:		DRAWING TITLE:		
X.X ± 0.1	X ± 3			PMD Configuration Options		
X.XX ± 0.01	X.X ± 0.3			SIZE	THIRD ANGLE	DRAWING NUMBER
X.XXX ± 0.005	X.XX ± 0.13			A		
X.XXXX ± 0.0005	X.XXX ± 0.013			SCALE:	4:1	SHEET 2 OF 2
FRAC. ± 1/16	ANGLE ± 1/2°	DO NOT SCALE BREAK ALL EDGES				